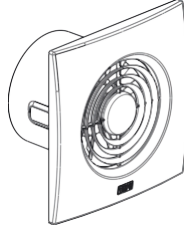
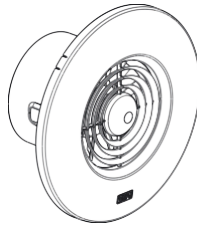


EF100SQWE  
Standardsquare100mm  
Wall fan



EF100SQSWE/EF100SQSWEKIT,  
EFT100SQSWE (Timer Integrated)  
Slimline square 100mm wall fan



EF100RDWE  
Round 100mm wall fan

**Please read carefully:** Read through these instructions completely before commencing installation. Retain for future use. This product should be installed by a licensed electrical contractor or similarly qualified person.

## 1 Product Specifications

Cat. No.	EF100SQWE	EF100SQSWE EFT100SQSWE EF100SQSWEKIT	EF100RDWE
Supply Voltage	230-240 V a.c 50 Hz		
Power Rating	14 W		
Standby Power	0.8W (EFT100SQSWE only)		
Wall cut-out size	Ø110mm		
Class of Protection	Class II		
IP Rating	IP44	IP24	
Draft stopper	PET Sheet		
Fascia	Size	158x158 mm	Ø190 mm
	Protrusion	30 mm	17 mm
External wall Grille	Size	-	125x125 mm
	Protrusion	-	17 mm
Weight (excl.packaging)	500 g	450 g	
Sound Pressure Level	30 dBA at 3m (Tested in accordance with AS1217.5)		

## Contents

Cat. No.	EF100SQWE	EF100SQSWE EFT100SQSWE EF100SQSWEKIT	EF100RDWE
Exhaust Fan	1 pc	1 pc	1 pc
Draft Stopper	1 pc	1 pc	1 pc
Instruction Manual	1 pc	1 pc	1 pc
Warranty Card	1 pc	1 pc	1 pc
Wall Mount screws &Plugs	1 set	1 set	1 set
External wall Grille to suit Ø100 mm duct	EF100SQSWEKIT only		

## Airflow\*(m2/hr)

Cat. No.	EF100SQWE		EF100SQSWE EFT100SQSWE EF100RDWE EF100SQSWEKIT	
	with	without	with	without
No duct	68	94	81	105
Wall kitR621/4D* (with 350mm ofduct also included in EF100SQSWEKIT)	33	68	48	75
1m of Duct*	33	60	46	66

## For indoor use only.

\*Measured with Ø100mm ducting.

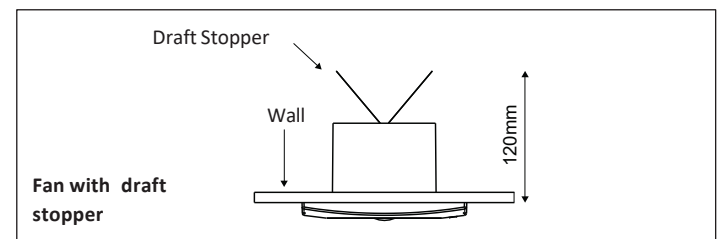
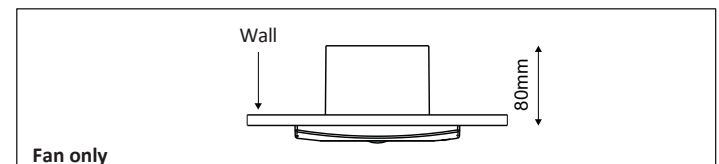
Airflow will be reduced with bends in duct, squashing of duct, restrictions on replacement air entering the room to be ventilated, or pressure-differentials between the room and outside air.

The length of the duct will have an effect on the airflow. When fitted, the wall kit (R621/4D) must be at the same height or lower than the exhaust fan.

- EF100SQSWEKIT includes:
- 1) External grill with mesh
  - 2) Ø100mm X 350mm duct
  - 3) Cable ties
  - 4) Duct tape
  - 5) Mounting screws

## 2 Mounting

These exhaust fans are designed for wall-mounting only. They may be vented into a cavity wall. Alternatively, the fan may be ducted through an outside wall (with the addition of ducting and an outside grille). Protrusions into wall cavity are as per below figures.



## CAUTION:

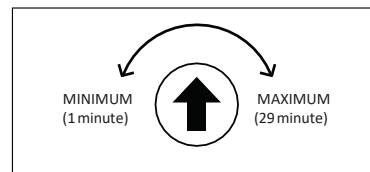
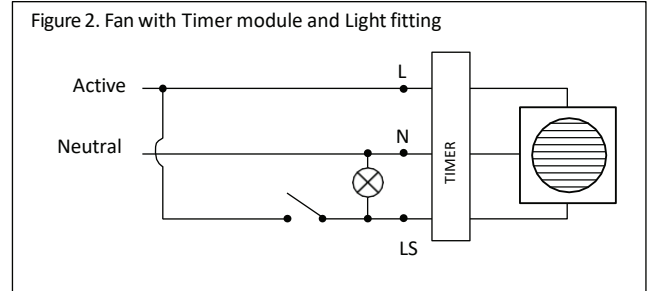
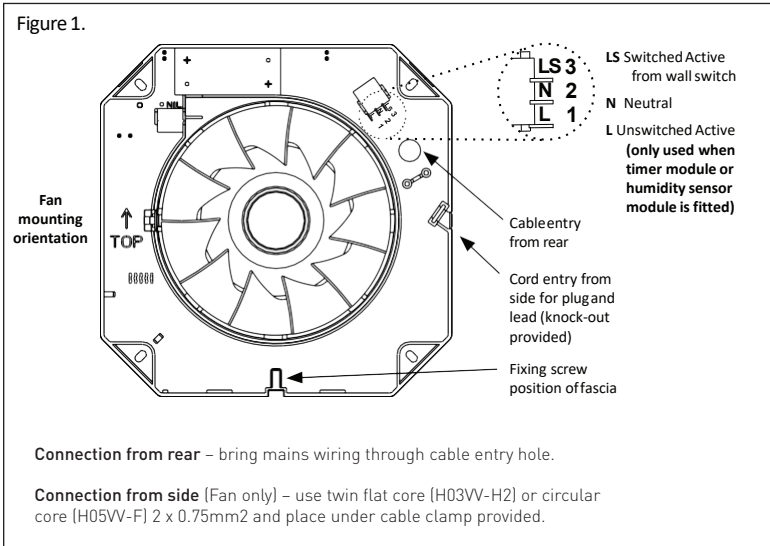
Regulations concerning the discharge of air must be fulfilled. Local building codes may require venting to the outside. Locate in accordance with the requirements of the Wiring Rules AS/NZS 3000 relating to damp situations.

**Note:** Steam will only be removed if there is sufficient flow of air through the room. Ensure adequate inlet openings in the room are provided, for example through windows, vents or under the door. Air-flow paths from room inlets to fan should ideally pass over surfaces where condensation may form.

### 3 Installation FAN only

Remove all packaging from the product before commencing installation. Ensure the circuit has been isolated from the 240 V mains before commencing work.

1. Choose a suitable mounting location. There must be adequate clearances in the wall to accommodate the draft stopper and/or ducting. Refer to section 2 for further information.
2. If ducting through the wall to the outside, refer to instructions in the wall duct kit. Note: the wall kit is available separately, please refer to Optional Accessories section 6.
3. The time delay module that is included in EFT150SQSWE is available separately (EF100/150TD), adjustable from 1 to 29 minutes.
4. Make a circular 110 mm hole in the wall.
5. Remove front cover fascia by removing fixing screw and cap on the underside of the cover.
6. Remove draft stopper if not required. Note that the draft-stopper (when fitted) has an effect on the airflow.
7. Make the electrical connections (as per Figures below).



**Timer Adjustment**  
The default setting is to 1min (approx). Adjust to desired time delay

8. Ensure orientation of fan is with arrow pointing up.
9. Fix fan firmly to the wall with the 4 screws provided.
10. Replace front cover/fascia and tighten fixing screw. Replace cap.
11. Switch on and test function. Use a paper tissue held against fan inlet to verify suction.

#### Installation (Fan with Timer only)

Condition	Timer Module
LS is Powered OFF (Initial)	Fan does not run
LS is Powered ON	Fan runs continuously
LS is Powered OFF	Fan runs for Preset Time and Switches OFF
LS is Powered ON and OFF immediately	Timer is Reset and fan runs for Preset Time and Switches OFF

### 4 Installation of External Grille (EF100SQSWEKIT)

As suitable position must be found that will suit:

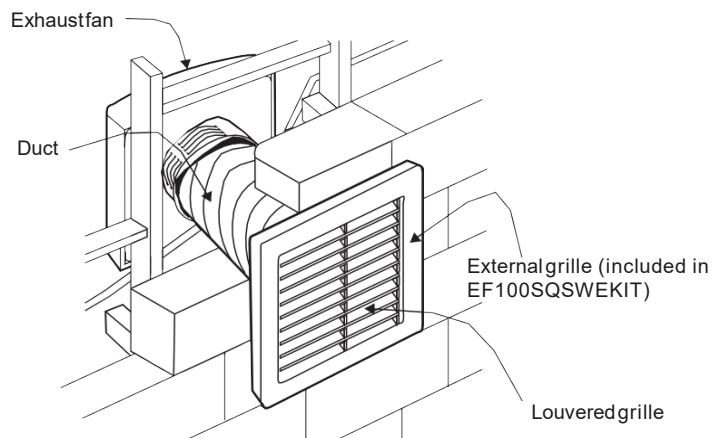
1. The location of the fan in the room.
2. The position of the vent on the outside wall and the location of studs, pipes, wires inside the cavity.

Make a circular hole in the outside wall inline with the inner hole. Hole cut-out size would be approx 110mm.

#### From the inside

From the inside, secure the ducting to the fan by using the cable tie supplied. It is vital that the strap is pulled tightly to avoid the possibility of the ducting coming away from the fan when pulled from the other side. Use screws to fix the fan to the inside wall. The screws and the method of fixing will depend on the inside wall material.

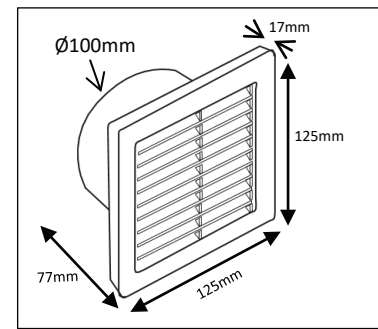
(See instructions supplied with fan)



## From the outside

1. From the outside, pull the ducting through the outside hole. The stretched length of the ducting material is approx. 350mm which should be well in excess of requirements. Pull duct tightly and cut the excess ducting off, leaving approx. 50mm to spare.
2. Remove the inner louvred grille section by gently prying open with a screwdriver.
3. Attach the vent frame to the remaining duct with the other cable tie strongly.
4. Push the vent frame back into the hole and attach with the appropriate screws for the wall material.
5. Snap in the louvred grille from the outside with the louvres pointing downwards.

**Note:** It is desirable to have the ducting as taut as possible as any slackness may restrict the air-flow through the ducting.



(R621/4D- Grille only)

## 5 Cleaning

This product should only be cleaned with a damp cloth. Cleaning agents and solvents should not be used. Ensure the fan is switched off from the mains power supply before removing the grille fascia.

## 6 Optional Accessories

R621/6D -150mm wall duct kit

EF100/150TD -Time delay module allows the fan to run for a set period, adjustable between 1-29 mins, after the switch has been turned off.

## 7 Disclaimers

1. This product must be installed and used as per these instructions.
2. This product should be only cleaned periodically with a damp cloth. Cleaning agents and solvents should not be used.
3. This product is not intended for use by persons (including children) with reduced physical, sensory or mental capabilities, or lack of experience and knowledge, unless they have been given supervision or instruction concerning use of the appliance by a person responsible for their safety. Children should be supervised to ensure that they do not play with the appliance.
4. This product is intended for household use and similar purposes. It is not suitable for use in an environment heavily laden with dust. Under these conditions the life of the fan motor can be significantly reduced.
5. This product has been designed to operate in ambient temperatures -10°C to 40°C.
6. This product contains no serviceable parts and no attempt should be made to repair it. If the product is faulty it should be discarded.
7. Airflows listed in this product indicate the product performance. Refer to the BCA (Building Code of Australia), or similar, for the appropriate airflow required for a particular installation.
8. Airflow will be reduced with bends in duct, squashing of duct, restrictions on replacement air entering the room to be ventilated, or pressure differentials between the room and outside air. The length of the duct will have an effect on the airflow.
9. Ventilation product must have an adequate source of external air to ensure correct performance.
10. Consideration must be taken in the installation of ducts to ensure that condensation that will form in the duct will not run back into the fan housing.
11. Exhaust fans may adversely affect the safe operation of appliances burning gas or other fuels (including those from other rooms) due to back flow of combustion gases. These gases can potentially result in carbon monoxide poisoning. After installation of an exhaust fan such as a partition fan, the operation of flued gas appliance should be tested by a competent person to ensure that back flow of combustion gases does not occur.
12. This product has been designed for domestic or similar uses and is not suitable for a commercial installation.
13. This product should not be enclosed in thermal insulation as it may cause the unit to overheat.
14. This product is not suitable for installation in hazardous and/or corrosive areas.
15. The material in this product may vary in colour from batch to batch. Colour matching from one batch to another cannot be guaranteed.
16. This product utilises intellectual property in the form of registered designs, trademarks, and/or patents. Such intellectual property remains the property of Legrand in all cases.
17. Legrand reserves the right to modify the specification of this product at anytime.

## Warranty

Legrand warrants this product for a period of 3 years from the date of purchase. These goods come with guarantees that cannot be excluded under the Australian and New Zealand Consumer Laws. You are entitled to a replacement or a refund for a major failure and for compensation for any other reasonably foreseeable loss or damage. You are also entitled to have the goods repaired if the goods fail to be acceptable quality and the failure does not amount to a major failure.

See the Warranty card enclosed with this product for further details.

## Customer Service

For all Customer Service and Technical Support please call Monday to Friday during business hours.

Legrand Australia  
1300 369 777  
www.hpm.com.au

Legrand New Zealand  
0800 476 009  
www.hpm.co.nz

ABN: 31 000 102 661

